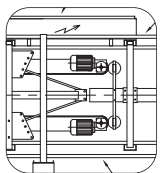




The 400 Series of case gluers includes both pre-set and random models for top only glueing or top and bottom glueing. Hot melt glue provides a strong seal that is versatile enough to allow standard and special (including shelf-ready) case designs to be sealed.

Features of the 400 Series include:

Four Column Construction



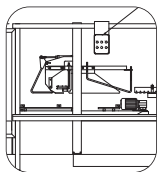
The use of our unique four column design provides added stability in the folding and glueing sections. Sprung drives take up board tolerances and the compression section ensures secure sealing of cases.

Robust Construction



High quality components housed in a robust chassis ensure minimal servicing and enable 24 hour operation. Designed for the rigours of typical end-of-line packaging environments.

Floating Bridge



Fitted as standard to all our case sealers, the floating bridge allows the machine to accept swollen or out-of-specification cases while providing consistent and accurate sealing. This feature also allows quick access to the bottom tape unit with no need to readjust the machine.

Machine Variants

401
402
403
407

Machines available in the 400 Series include:

- Fully automatic pre-set size, manual adjustment
- Top only sealing or top and bottom sealing
- Fully automatic random size, automatic adjustment

Ease of Operation



Simple operator controls for ease of use ensure the machine is available for the maximum time. Clear access provides for easy cleaning and maintenance, minimising down time.

Low Cost of Ownership



All Endoline's machines are designed for maximum efficiency and productivity thereby reducing the cost of ownership to a minimum. Excellent support and training and robust construction ensure the efficient and trouble-free running of your case sealer even in the most rigorous production environments.

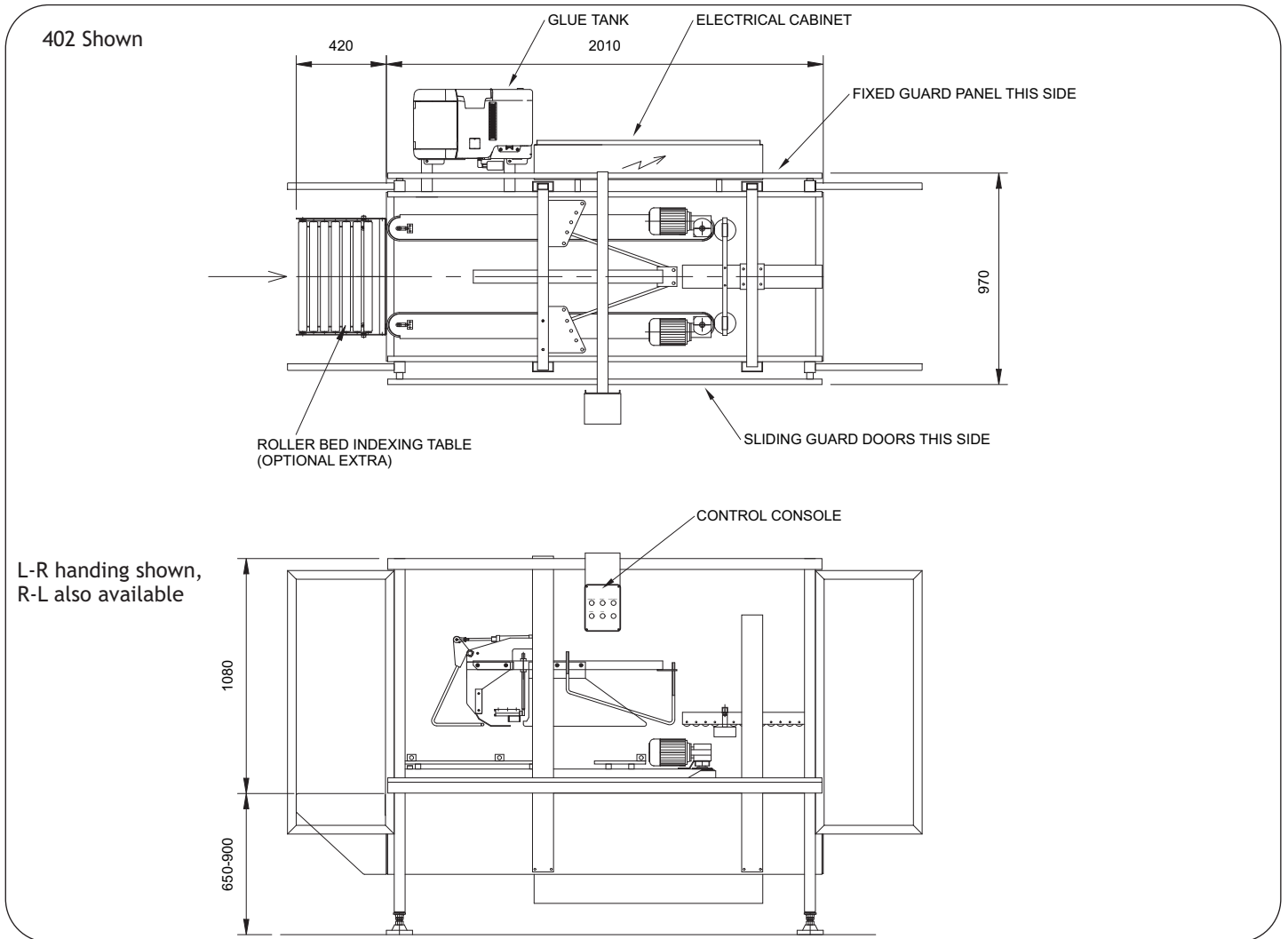


400 Series

Fully Automatic Pre-set and Random Case Gluers

Options include:

- Indexing table
- Message display unit
- Visual/audible failure alarm
- Discharge blocked sensing



Case Dimensions (mm)

		Length	Width	Height
401	Minimum	200	130	100
	Maximum	400	400	390
top glue only, bottom drive.				
402	Minimum	160	100	170
	Maximum	500	400	490
top glue only, side drive.				
403	Minimum	200	180	170
	Maximum	420	320	500
top and bottom glue, side drive.				
407	Minimum	200	180	150
	Maximum	500	350	350

top and bottom glue, side drive, random.

Note: Case dimensions outside the above range can be accommodated which may affect the machine size. Refer to quotations for full case size range.

Electrical
Three Phase:
380 - 415V, 50Hz, 5.0kW

Pneumatics
80psi (5.5bar)

Machine Finish
Mild steel, powder coated white (RAL 9010) or stainless steel

© Endoline reserves the right to change specifications without prior notice.



Endoline Machinery Limited
Stratton Business Park, London Road
Biggleswade, Bedfordshire
SG18 8QB
United Kingdom

Telephone: +44 (0) 1767 316422
Facsimile: +44 (0) 1767 318033
E-mail: sales@endoline.co.uk
Website: www.endoline.co.uk

system range