



(Flexi Conveyor shown is optional)

A high speed case taping machine for single operator control that can automatically adjust to variable case sizes, this machine includes an infeed packing table, locking castors, interchangeable tapeheads, adjustable legs and fully interlocked guarding as standard.

Features of the P6-SR-T include:

Floating Bridge



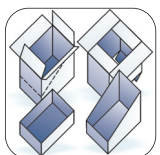
Fitted as standard, the floating bridge allows the machine to accept swollen or out-of-specification cases while providing consistent and accurate sealing. This feature also allows quick access to the bottom tapehead with no need to readjust the machine.

Twin Column Construction



Our unique twin column design provides added stability for the taping bridge to ensure the machine runs smoothly at all times with minimal interruption and it provides the support necessary for the floating bridge feature.

Wide Size Range



The SR is designed to handle a very wide range of cases which makes the machine truly versatile when added to its random capability.

Interchangeable Tapeheads



The instantly removable, interchangeable tapeheads are easily threaded and are fitted with integral steel knife guards. This means that tape can be reloaded rapidly while the machine is still running. It also means that fewer spare tapeheads are required thereby significantly reducing spare parts costs.

High Speed



This machine can provide speeds of up to 20 cases per minute for cases of equal or similar height. And side drive belts and rollers in the machine base can handle cases up to 30kg in weight.

Low Cost of Ownership



All Endoline's machines are designed for maximum efficiency and productivity thereby reducing the cost of ownership to a minimum. This case sealer comes at a low capital cost and immediate savings can be seen through reduced labour costs and increased packing speeds.

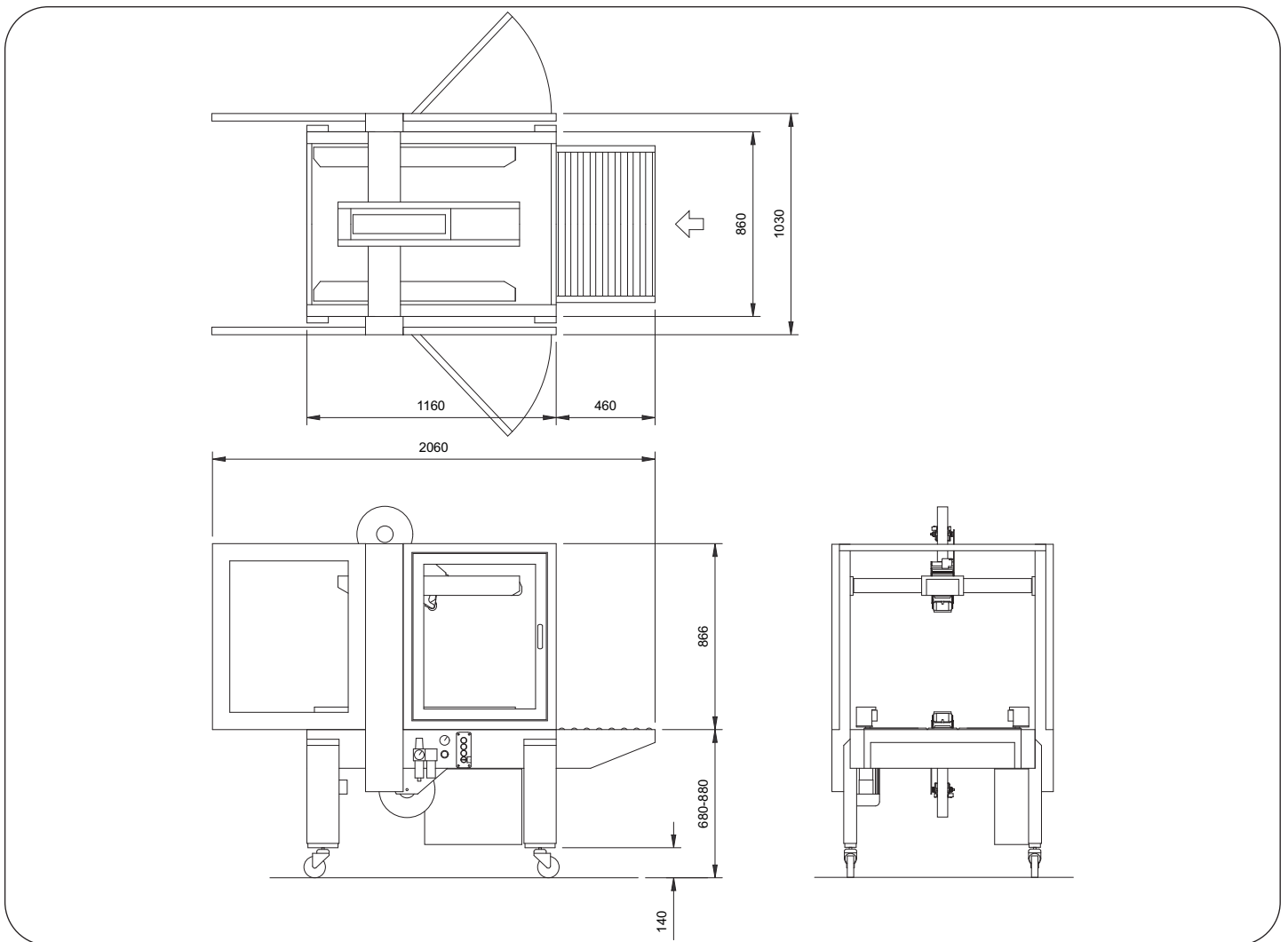


P6-SR-T

Semi-Automatic Random Case Taper

Options include:

- Discharge conveyor



Case Size Range (mm)

Length	Width	Height
120 to Inf	110 to 600	110 to 600

Electrical Supply

240V / 1ph / 50Hz
500W
2amps nominal

Machine Finish

Mild steel painted RAL9010

Tape Size

Standard: up to 50mm wide

Bed Height

With castors 600 - 820mm

Handing

Right to left

Controls

Stop/Start and Remote
Emergency Stop

© Endoline reserves the right to change specifications without prior notice.



Endoline Machinery Limited
Stratton Business Park, London Road
Biggleswade, Bedfordshire
SG18 8QB
United Kingdom

Telephone: +44 (0) 1767 316422
Facsimile: +44 (0) 1767 318033
E-mail: sales@endoline.co.uk
Website: www.endoline.co.uk

phoenix range